

ANR Instruction: The Active Noise Reduction AN-1000AC ANR Headset is a headset that can isolate, offset and cancel noise. In comparison with passive headsets, it can, under noisy circumstances, provide a quieter and more comfortable sensation, by reducing background noise. Therefore, make it possible to improve the audio quality and articulation, resulting in a higher operation safety factor. The noise cancelling circuitry reduces outside noise considerably more than a standard headset, making it more comfortable for the pilot in the aircraft.

ANR BATTERY MODULE OPERATION

1. The battery module requires two AA battery. The power of AN-1000AC comes from AA battery, not aircraft power.

2. Figure 1: There are on/off switch, Led light and mp3 input on the top of battery box.

A. When the switch is on (I), the Led will be on and the ANR function starts working.

When the switch is off (o), the power for the battery box is shut off and the ANR function stops working.

B. The Led is green when the power is on and the batteries are fully charged. The led turns red when the batteries are low.

3. S/M switch: There is an s/m switch inside the battery box, see figure 2. When the switch is on "M", the output of earphone plug is mono and when the switch is on "S", the output is stereo.

4. Battery changing: ①move the clip to the left or right; ②press the opener and push it out; put the batteries in according to the "+" "-" signs inside; ③ put the opener on and push it back. See figure 3.

HEADSET OPERATION

1. Rotate the flexible boom overhead to wear the microphone on either the right or left side of the head.
2. Rotate the headset volume control fully counter-clockwise to the minimum position, before the headset plug is inserted into the aircraft or intercom.
3. With the headband resting securely on the top of the head, check that the ear seals are centered over the ears.
4. For best noise cancellation, position the microphone in front of your lips.
5. Insert the microphone plug (PJ068) into the aircraft or intercom microphone jack. Insert the earphone plug (PJ055) into the aircraft or intercom earphone jack.
6. Volume Adjustment Procedure: Rotate the headset volume knob clockwise to a comfortable level.
7. MP3/phone function: Insert your mp3/phone or music plug (3.5mm plug) into the jack on the side of right earcup as indicated. See figure 4.

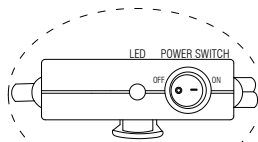


Figure 1

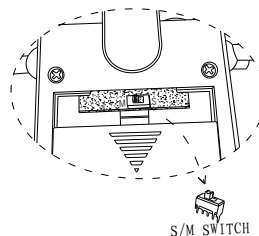


Figure 2

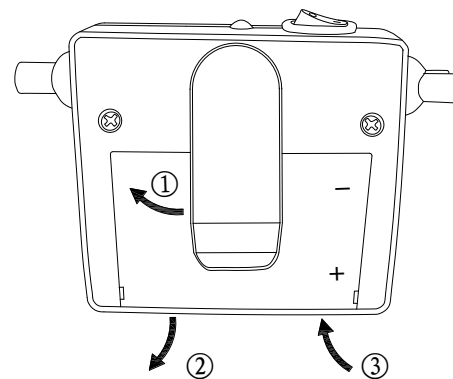


Figure 3

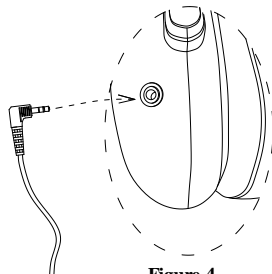


Figure 4

Notice:

to save on batteries, pls shut off the power when the headset is not in use.

HEADSET NOISE ATTENUATION DATA

The noise reduction or attenuation characteristics of communication headsets must be measured according to an accepted standard procedure if the characteristics of different headset are to be compared in a meaningful way. The Noise Reduction Rating (NRR) is provided in accordance with U.S. EPA Regulation 40 CFR Part 211. Subpart B. The Range of Noise Reduction Rating for Existing Hearing Protectors is approximately 0 to 30. (Higher Numbers Denote Greater Effectiveness)

Frequency [Hz]	125	250	500	1000	2000	3000	4000	6000	8000
Attenuation [dB]	14.3	21.5	27.1	31.8	36	39.5	41.3	39.7	37.0
Standard Deviation	3.3	2.4	1.5	1.6	1.3	2.1	2.1	2.0	1.3

Specifications

Noise Reduction Ratings (NRR): 24dB

Headphone

Type: Dynamic (φ30)
 Frequency Response: 50 Hz to 20 kHz
 Sensitivity: 95±5 dB SPL
 (1 kHz, 1 mW input per earcup side)
 full volume on ear simulator
 Active Noise Attenuation:
 Dynamic 42 ohms:
 Rate Input: 30mW Max. Input: 100mW
 Speech Sound:
 Dynamic 300 ohms:
 Rate Input: 30mW Max. Input: 100mW

Microphone and Amplifier:

Element Type: Noise-canceling electret
 Frequency Response: 100Hz to 5 kHz
 Operating Voltage (supplied by aircraft): 8-32 Volts DC
 Matching Impedance: 150-1000 ohms
 Sensitivity: -33±4 dB (Ref: 0dB SPL=20.0uPa at 1 kHz with 10 Vdc 150 ohms AC load)

General:

Temperature: Operating: - 20 to 70 °C
Cordage: Straight cord from headset to molded plug, 150CM

Intercom Connections:

Earphone Plug : PJ-055 (.25" 6.3φ phone plug)
 Microphone Plug : PJ-068 (.206" 5.2φ phone plug)

Weights: 650g

Noise Reduction Specifications:

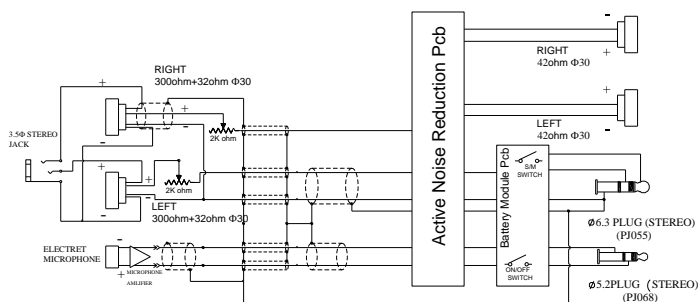
Attenuation Frequency Band20Hz~20 KHz
 Main Attenuation Frequency Band20Hz~600Hz
 Attenuation Capability.....18~21dB
 Power Consumption30 mW

Headset size range Height: 10 to 14 cm

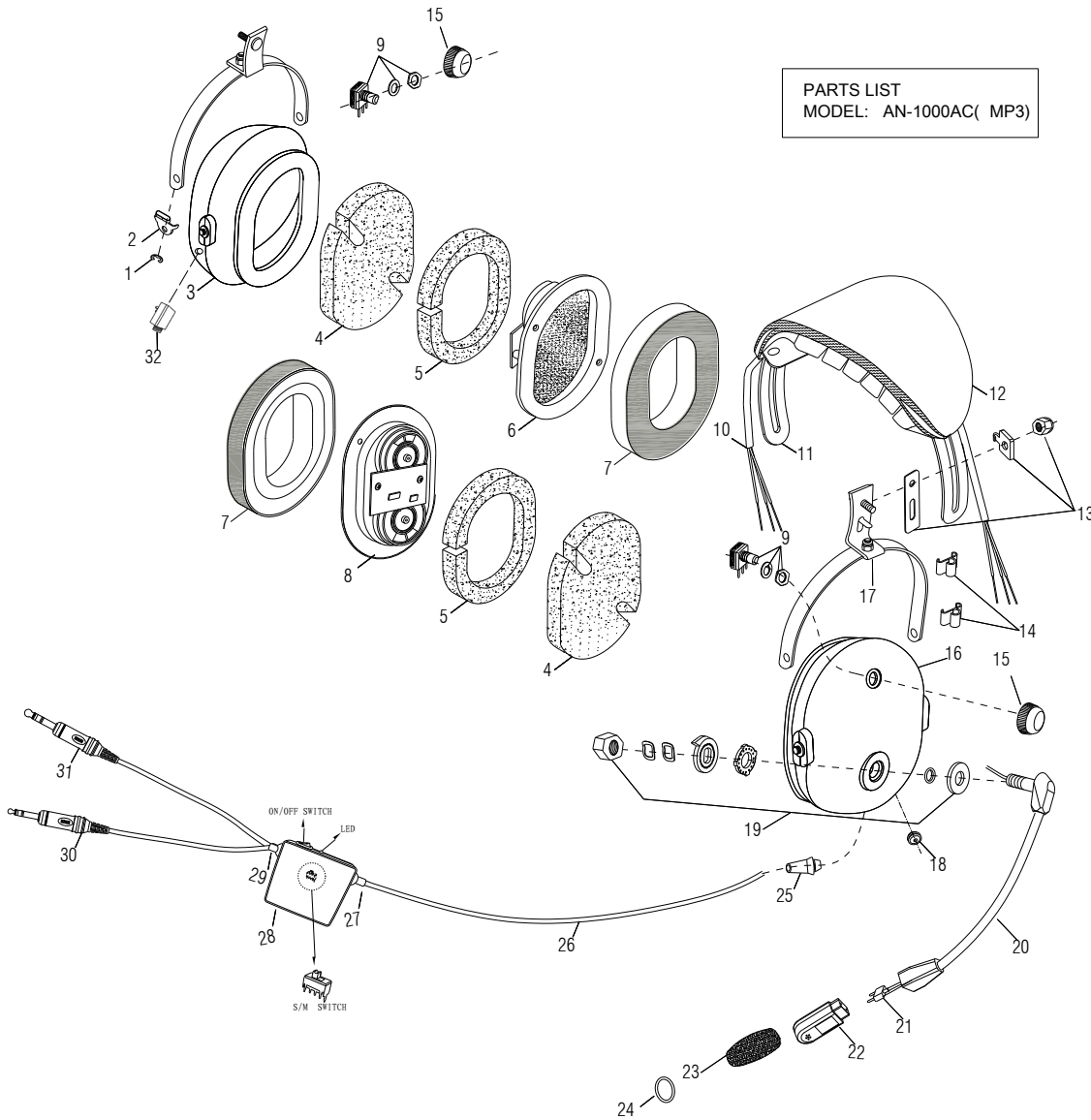
Color: Green **Boom:** Flexible Boom

HEADSET SCHEMATIC DIAGRAM

AN-1000AC(MP3)



EXPLODED VIEW AND DISASSEMBLY INSTRUCTIONS



PARTS LIST

ITEM	P/N	DESCRIPTION	ITEM	P/N	DESCRIPTION
1	10ME0001	RETAINING RING	18	10PL0004	GROMMET , RUBBER
2	10ME0002	DOME STOP , STAINLESS STEEL	19	10KI0005	MIC BOOM ATTACHMENT KIT
3	10PL0001	RIGHT EARCUP	20	10KI0006	FLEXIBLE BOOM ASSEMBLY
4	10SP0007	ABSORBENT NOISE FILTER (1)	21	10CR0007	MICROPHONE PLUG CORD
5	10SP0008	ABSORBENT NOISE FILTER (2)	22	10EL0005	ELECTRET MICROPHONE
6	10EL0034	NOISE CANCELING PCB (RIGHT)	23	10SP0006	MICROPHONE WINDSCREEN
7	10SP0016	GEL EARSEAL	24	10PL0008	O RING
8	10EL0035	NOISE CANCELING PCB (LFET)	25	10PL0005	STRAIN RELIEF
9	10EL0017	VOLUME CONTROL 2K	26	10CR0004	COMM CORD , STRAIGHT
10	10CR0020	OVERHEAD CORD	27	10PL0022	RUBBER HANESS SINGLE
11	10ME0004	HEADBAND , STAINLESS STEEL	28	10KI0035	BATTERY MODULE
12	10SP0005	HEADBAND CUSHION	29	10PL0023	RUBBER HANESS DUAL
13	10KI0020	CLAMP KIT	30	10CR0005	Φ5.2 MOLDED PLUG CORD (PJ068)
14	10PL0002	OVERHEAD CORD CLAMP	31	10CR0015	Φ6.3 MOLDED PLUG CORD (PJ055)
15	10KI0013	VOLUME KNOB	32	10EL0018	3.5MM STEREO JACK
16	10PL0003	LEFT EARCUP	33		
17	10ME0010	STIRRUP	34		